

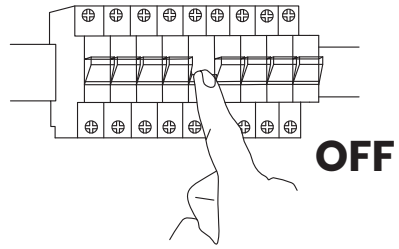
# NEST ML0523

# MILAGRO®

Brand that inspires

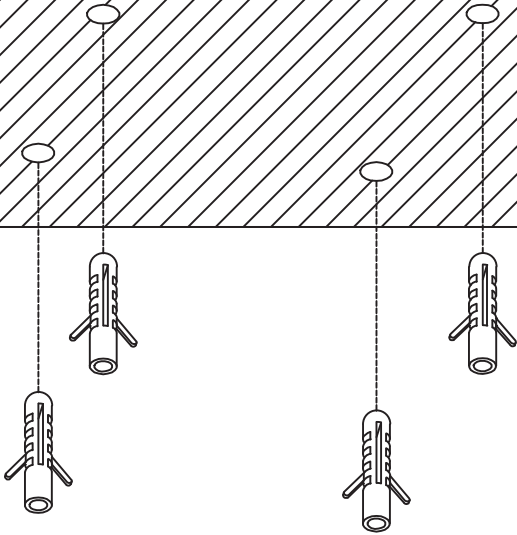
EKO-LIGHT TEAM SP. Z O.O. [W] [www.eko-light.com](http://www.eko-light.com)  
UL. GŁÓWNA 142, 42-280 [M] [biuro@eko-light.com](mailto:biuro@eko-light.com)  
CZĘSTOCHOWA, POLAND [P] +48 666 503 666

01

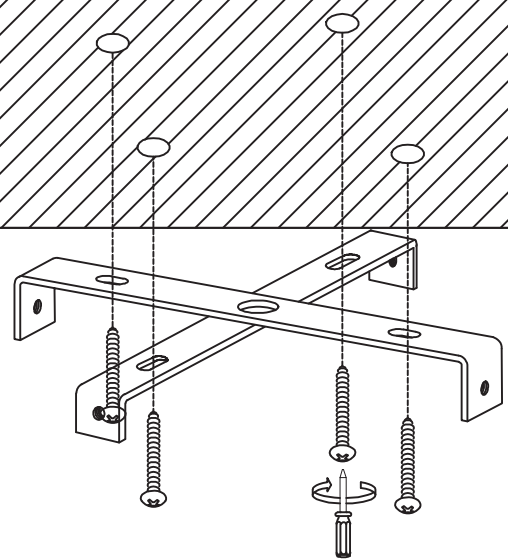


OFF

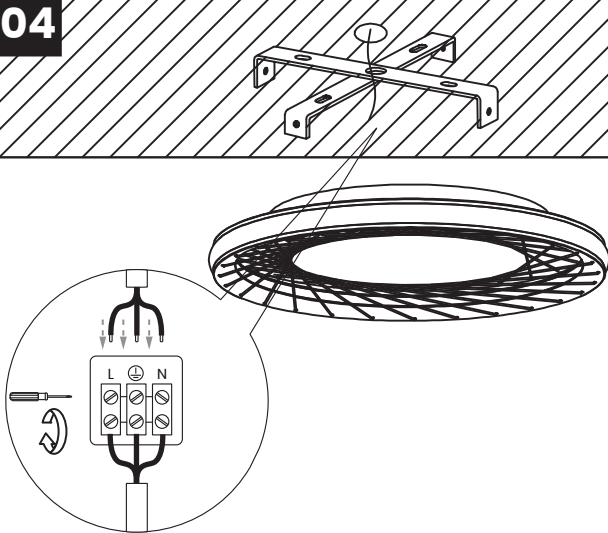
02



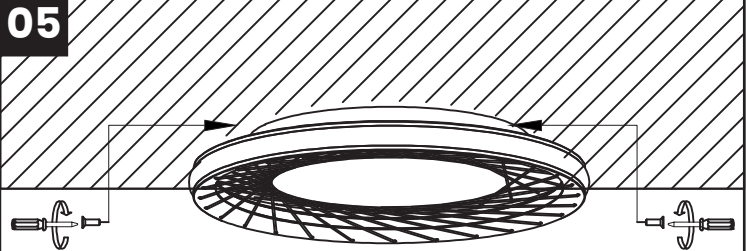
03



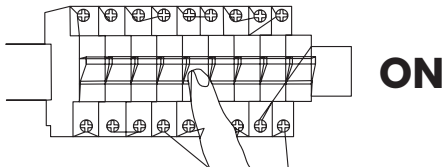
04



05



06



ON

Light Source: **F** Energy Efficiency Class

