

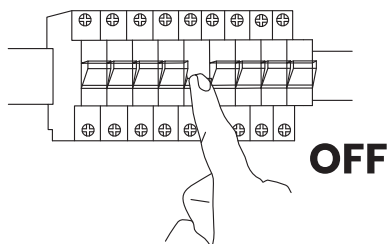
HERO ML1691/ML1692/ML1693

MILAGRO®

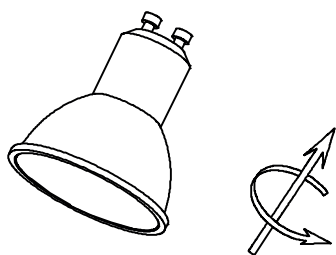
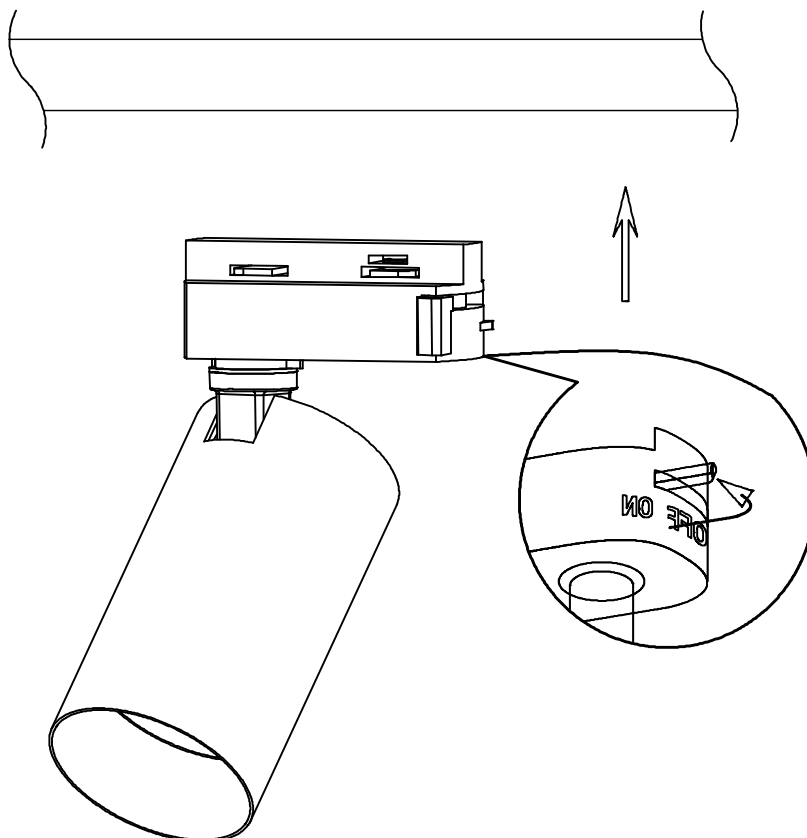
Brand that inspires

EKO-LIGHT TEAM SP. Z O.O. [W] www.eko-light.com
UL. GŁÓWNA 142, 42-280 [M] biuro@eko-light.com
CZĘŚTOCHOWA, POLAND [P] +48 666 503 333

01

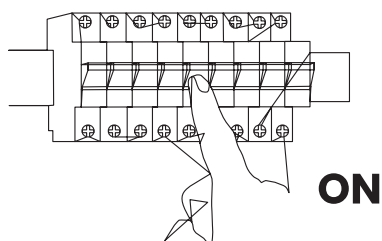


02



1x  **GU10(MAX 10W)**

03



CE



