

CHELSEA ML6001/ML6002

MILAGRO®

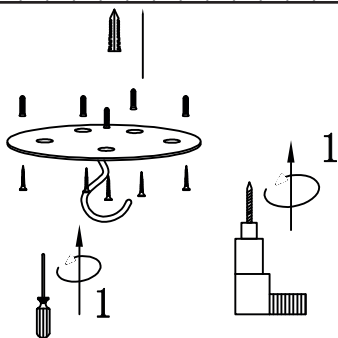
Brand that inspires

EKO-LIGHT Sp. z o.o. Sp. k. ☎ +48 666 503 333
ul. Pascala 19, ✉ biuro@eko-light.com
42-209 Częstochowa
www.eko-light.com

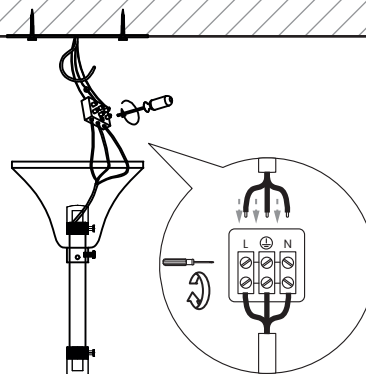
01



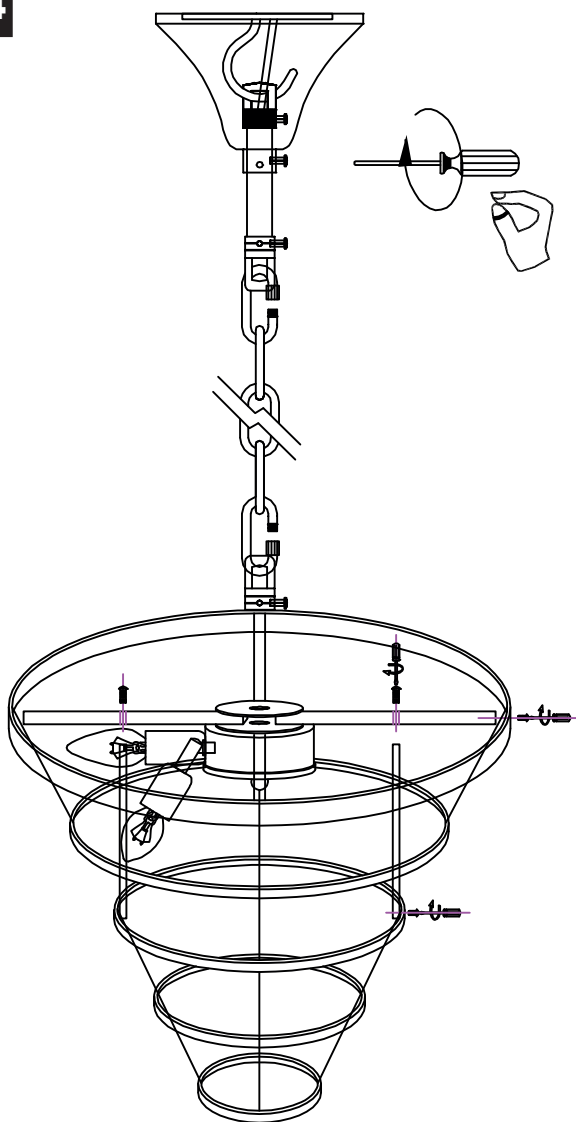
02



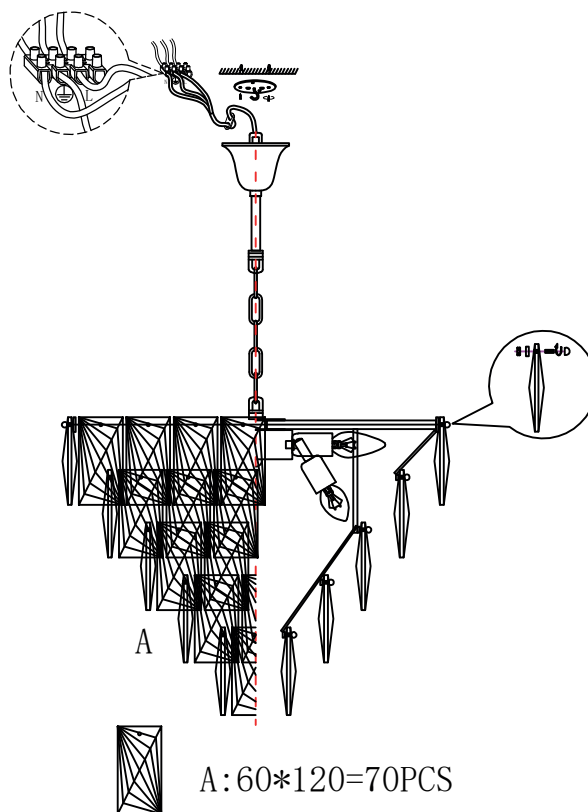
03



04



05



06

