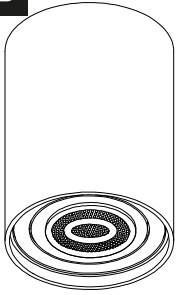
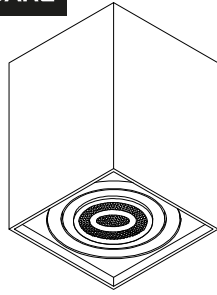


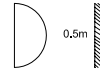
**ROUND**



**SQUARE**

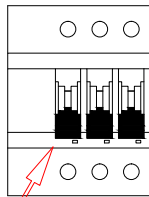


230V  
AC



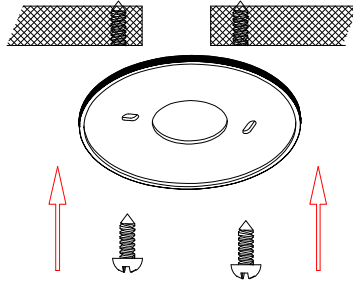
**01**

ON

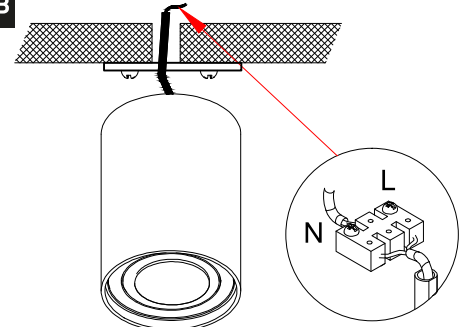


off

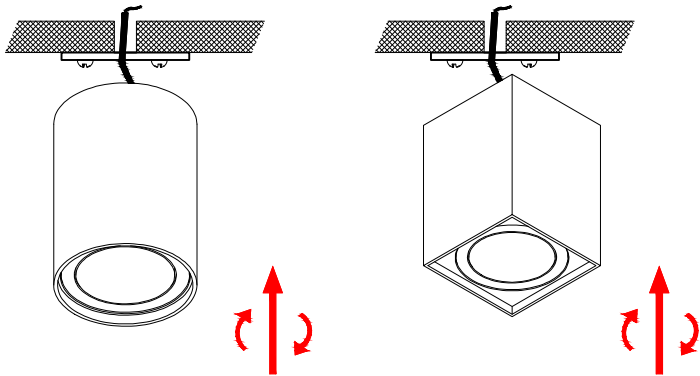
**02**



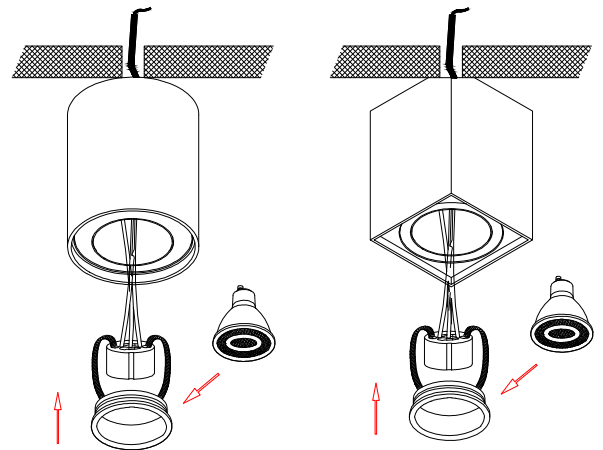
**03**



**04**



**05**



**06**

ON

